

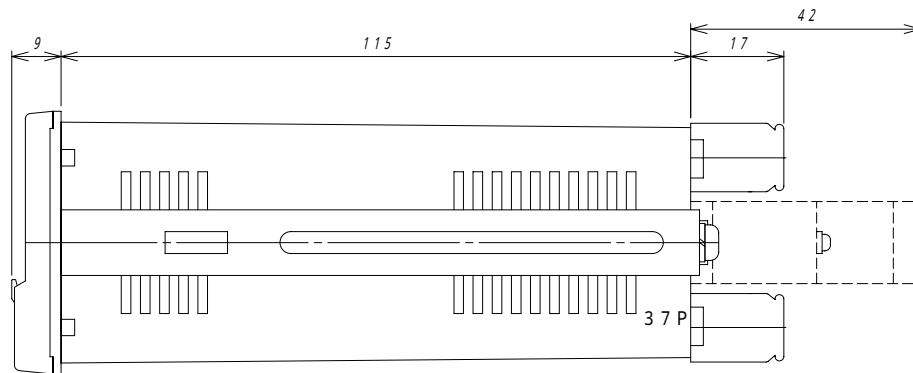
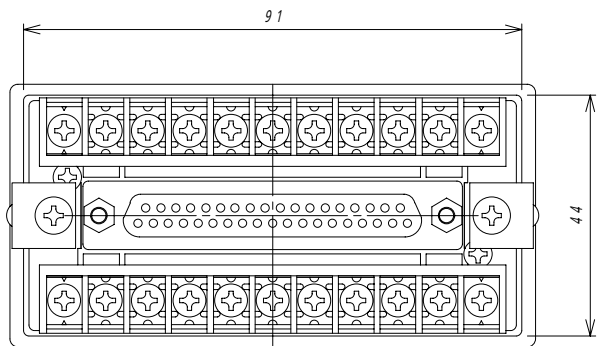
単位：mm

パネルカット寸法：92^{+0.8} × 45^{+0.6}

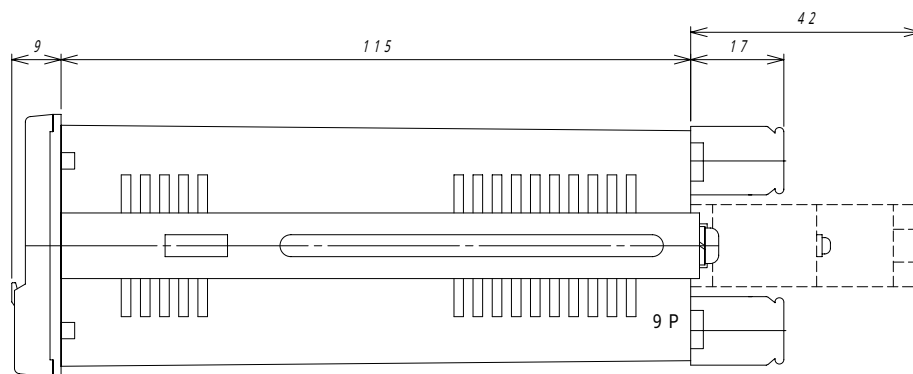
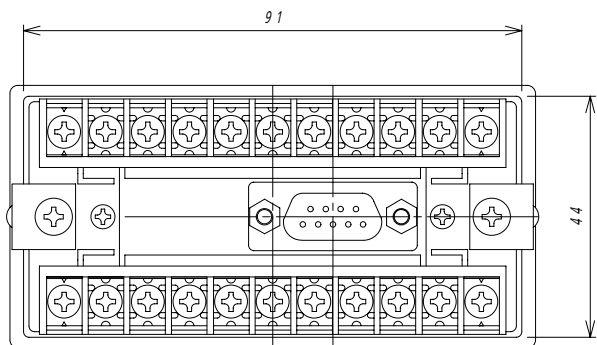
TSURUGA ELECTRIC CORPORATION. All rights reserved.

REVISED	DATE Dec. 27, 1994	APPROVED BY	TITLE 461A, B
	SCALE	CHECKED BY	DRAWING No. FC-00737
	DESIGNED BY	DRAWN BY	
	TSURUGA ELECTRIC CORPORATION		

BCD出力付タイプ



RS-232C出力付タイプ



単位 : mm

TSURUGA ELECTRIC CORPORATION. All rights reserved.

REVISED	DATE Dec. 27. 1994	APPROVED BY	TITLE
	SCALE 1 : 1	CHECKED BY	461A, B
	DESIGNED BY	DRAWN BY	DRAWING No.
	TSURUGA ELECTRIC CORPORATION		FC-00737