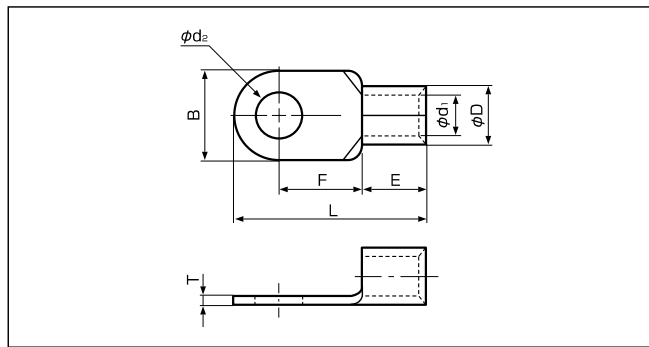


丸形端子 (R形)



形番	規格	寸法(mm)								適用電線範囲			適用圧着工具			1箱入数(個)																						
		φd2	B	L	F	E	φD	φd1	T	単線(mm)	撚線(mm ²)	AWG(#)	手動	空気圧式	油圧式																							
100-6		6.4	28.5	55.6	20.4	21.0	22.3	16.4	2.6	10.41 } 11.68	96.3 } 117.2	4/0	—	—	YPT-150-1 BCT-8150 (本体) YF-1 E-4 (ヘッド) YET-150-1 YET-300-1 YET-300N	25																						
100-8		8.4																																				
R100-10		10.5																																				
100-11		11.5																																				
R100-12		13.0	32.0	69.0	32.0												27.0	26.5	19.5	3.2	11.68 } 13.8	117.2 } 152.05	250/300 MCM	—	—	YPT-150-1 BCT-8150 (本体) YF-1 E-4 (ヘッド) YET-150-1 YET-300-1 YET-300N	20											
100-L8		8.4																																				
100-L10		10.5																																				
100-L12		13.0																																				
R100-14		15.0	66.0	21.0	21.0																							27.0	26.5	19.5	3.2	11.68 } 13.8	117.2 } 152.05	250/300 MCM	—	—	YPT-150-1 BCT-8150 (本体) YF-1 E-4 (ヘッド) YET-150-1 YET-300-1 YET-300N	20
R100-16		17.0																																				
R100-18		19.0																																				
R100-20		21.0																																				
100-22		23.0	66.0	23.0	23.0	27.0	26.5	19.5	3.2	11.68 } 13.8	117.2 } 152.05	250/300 MCM	—	—	YPT-150-1 BCT-8150 (本体) YF-1 E-4 (ヘッド) YET-150-1 YET-300-1 YET-300N	20																						
R150-10		10.5																																				
R150-12		13.0																																				
R150-14		15.0																																				
R150-16		17.0	68.0	23.0	23.0												27.0	26.5	19.5	3.2	11.68 } 13.8	117.2 } 152.05	250/300 MCM	—	—	YPT-150-1 BCT-8150 (本体) YF-1 E-4 (ヘッド) YET-150-1 YET-300-1 YET-300N	20											
R150-18		19.0																																				
R150-20		21.0																																				
150-6		6.4																																				
150-8		8.4	66.0	23.0	23.0																							27.0	26.5	19.5	3.2	11.68 } 13.8	117.2 } 152.05	250/300 MCM	—	—	YPT-150-1 BCT-8150 (本体) YF-1 E-4 (ヘッド) YET-150-1 YET-300-1 YET-300N	20
150-10		10.5																																				
150-11		11.5																																				
150-12		13.0																																				
150-16		17.0	66.0	23.0	23.0	27.0	26.5	19.5	3.2	11.68 } 13.8	117.2 } 152.05	250/300 MCM	—	—	YPT-150-1 BCT-8150 (本体) YF-1 E-4 (ヘッド) YET-150-1 YET-300-1 YET-300N	20																						
150-22		23.0																																				
150-24		25.0																																				
150-27		28.0																																				
150-L8		8.4	81.0	36.0	36.0												27.0	26.5	19.5	3.2	11.68 } 13.8	117.2 } 152.05	250/300 MCM	—	—	YPT-150-1 BCT-8150 (本体) YF-1 E-4 (ヘッド) YET-150-1 YET-300-1 YET-300N	20											
150-L10		10.5																																				
150-L12		13.0																																				
150-L16		17.0																																				
180-8		8.4	69.0	24.5	24.5																							28.5	28.5	21.0	3.5	13.8 } 15.6	152.05 } 192.60	350MCM	—	—	(本体) YF-1 E-4 (ヘッド) YET-300-1 YET-300N	20
180-10		10.5																																				
180-11		11.5																																				
180-12		13.0																																				
180-14		15.0	69.0	24.5	24.5	28.5	28.5	21.0	3.5	13.8 } 15.6	152.05 } 192.60	350MCM	—	—	(本体) YF-1 E-4 (ヘッド) YET-300-1 YET-300N	20																						
180-16		17.0																																				
180-18		19.0																																				
180-20		21.0																																				
180-22		23.0	38.5														28.5	28.5	21.0	3.5	13.8 } 15.6	152.05 } 192.60	350MCM	—	—	(本体) YF-1 E-4 (ヘッド) YET-300-1 YET-300N	20											
180-24		25.0																																				
180-27		28.0																																				
180-L8		8.4																																				
180-L10		10.5	86.8	39.0	39.0																							28.5	28.5	21.0	3.5	13.8 } 15.6	152.05 } 192.60	350MCM	—	—	(本体) YF-1 E-4 (ヘッド) YET-300-1 YET-300N	20
180-L12		13.0																																				
180-L16		17.0																																				

注) 本製品の中には多少納期を要するものもあります。