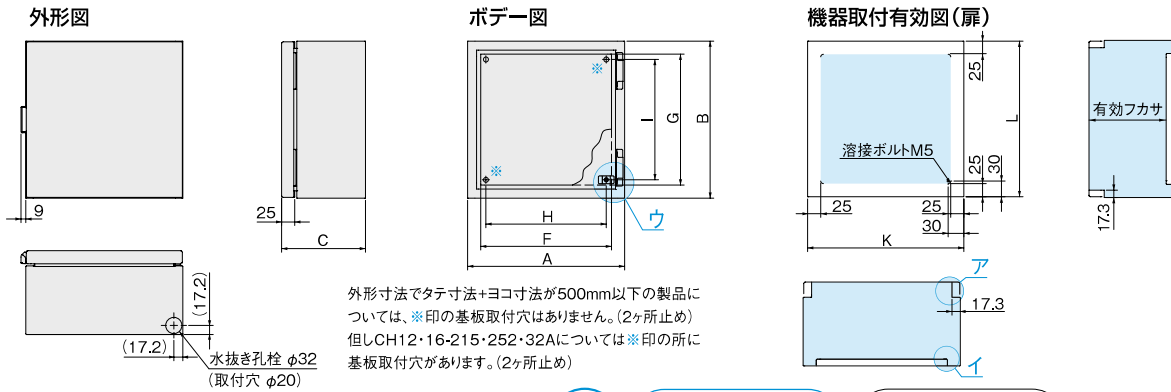


# CH-A CH形ボックス (防塵パッキン付)



## CH-A タイプ (鉄製基板付)

フカサ 120mm

新発売

ライトベージュ塗装  
LB色(5Y7 1)  
日塗工D25-70B

クリーム塗装  
クリーム色(2.5Y9 1)  
日塗工D22-90B

屋内用 IP4X  
単位/ mm

納期区分	品名記号 鉄製基板付	1コ標準価格 円	一梱入数	外形寸法			鉄製基板寸法				扉寸法		有効フカサ	製品質量 kg	従来商品相当品 (鉄製基板付)
				A(ヨコ)	B(タテ)	C(フカサ)	F(ヨコ)	G(タテ)	H	I	K	L			
○	CH12-152A	5,650	2コ	150	200	120	100	150	80	130	148	197	103	2.1	CH12-152
○	CH12-152SA	5,850	2コ	"	250	"	"	200	"	180	"	247	"	2.5	—
○	CH12-153A	6,450	2コ	"	300	"	"	250	"	230	"	297	"	2.9	—
○	CH12-215A	5,650	2コ	200	150	"	150	100	130	80	198	147	"	2.1	—
○	CH12-22A	5,850	2コ	"	200	"	"	150	"	130	"	197	"	2.6	CH12-22
○	CH12-225A	6,850	2コ	"	250	"	"	200	"	180	"	247	"	3.1	CH12-225
○	CH12-23A	7,200	2コ	"	300	"	"	250	"	230	"	297	"	3.6	—
○	CH12-24A	9,000	2コ	"	400	"	"	350	"	330	"	397	"	4.5	CH12-24
○	CH12-252A	6,850	2コ	250	200	"	200	150	180	130	248	197	"	3.0	CH12-252
○	CH12-252SA	7,550	2コ	"	250	"	"	200	"	180	"	247	"	3.6	—
○	CH12-253A	8,100	2コ	"	300	"	"	250	"	230	"	297	"	4.2	CH12-253
○	CH12-32A	7,200	2コ	300	200	"	250	150	230	130	298	197	"	3.5	CH12-32
○	CH12-325A	8,100	2コ	"	250	"	"	200	"	180	"	247	"	4.2	CH12-325
○	CH12-33A	9,000	2コ	"	300	"	"	250	"	230	"	297	"	4.9	CH12-33
○	CH12-34A	10,500	2コ	"	400	"	"	350	"	330	"	397	"	6.2	CH12-34
○	CH12-43A	10,500	2コ	400	300	"	350	250	330	230	398	297	"	6.2	CH12-43
○	CH12-44A	12,500	2コ	"	400	"	"	350	"	330	"	397	"	7.8	—
○	CH12-53A	12,500	2コ	500	300	"	450	250	430	230	498	297	"	7.4	CH12-53

フカサ 160mm

○	CH16-152A	6,000	2コ	150	200	160	100	150	80	130	148	197	143	2.4	CH16-152
○	CH16-152SA	6,400	2コ	"	250	"	"	200	"	180	"	247	"	2.8	—
○	CH16-153A	6,650	2コ	"	300	"	"	250	"	230	"	297	"	3.3	—
○	CH16-215A	6,000	2コ	200	150	"	150	100	130	80	198	147	"	2.4	—
○	CH16-22A	6,450	2コ	"	200	"	"	150	"	130	"	197	"	2.9	CH16-22
○	CH16-225A	6,850	2コ	"	250	"	"	200	"	180	"	247	"	3.4	CH16-225
○	CH16-23A	7,200	2コ	"	300	"	"	250	"	230	"	297	"	4.0	—
○	CH16-24A	9,000	2コ	"	400	"	"	350	"	330	"	397	"	5.0	CH16-24
○	CH16-25A	11,000	2コ	"	500	"	"	450	"	430	"	497	"	6.0	CH16-25
○	CH16-252A	6,850	2コ	250	200	"	200	150	180	130	248	197	"	3.4	CH16-252
○	CH16-252SA	7,550	2コ	"	250	"	"	200	"	180	"	247	"	4.0	CH16-2525
○	CH16-253A	8,100	2コ	"	300	"	"	250	"	230	"	297	"	4.7	CH16-253
○	CH16-253SA	9,000	2コ	"	350	"	"	300	"	280	"	347	"	5.3	—
○	CH16-32A	7,200	2コ	300	200	"	250	150	230	130	298	197	"	3.9	CH16-32
○	CH16-325A	8,100	2コ	"	250	"	"	200	"	180	"	247	"	4.6	CH16-325
○	CH16-33A	9,000	2コ	"	300	"	"	250	"	230	"	297	"	5.3	CH16-33
○	CH16-335A	10,000	2コ	"	350	"	"	300	"	280	"	347	"	6.0	—
○	CH16-34A	10,500	2コ	"	400	"	"	350	"	330	"	397	"	6.7	CH16-34
○	CH16-35A	12,500	2コ	"	500	"	"	450	"	430	"	497	"	8.1	CH16-35
○	CH16-352SA	10,000	2コ	350	250	"	300	200	280	180	348	247	"	5.2	CH16-3525
○	CH16-353A	10,000	2コ	"	300	"	"	250	"	230	"	297	"	6.0	—
○	CH16-353SA	11,000	2コ	"	350	"	"	300	"	280	"	347	"	6.8	—

◎代理店様在庫品 ◎物流センター在庫品 ①③⑤⑦標準品(納期別) 無印 受注品

上記品名記号はライトベージュ塗装です。  
クリーム塗装にてご注文の際は品名記号の末尾にCを付けてご用命ください。  
価格は同価格です。【例】CH12-152A→CH12-152ACとなります。