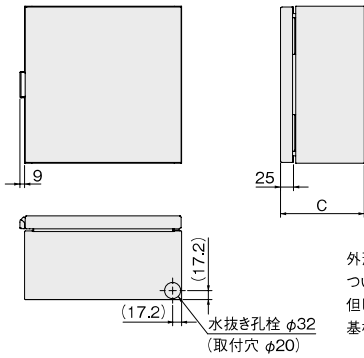
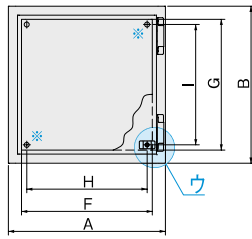


CH-A CH形ボックス (防塵パッキン付)

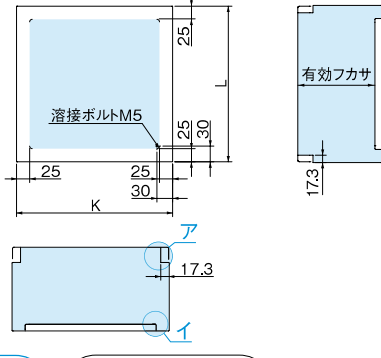
外形図



ボデー図



機器取付有効図(扉)



外形寸法でタテ寸法+ヨコ寸法が500mm以下の製品については、※印の基板取付穴がありません。(2ヶ所止め) 但しCH12・16・215・252・32Aについては※印の所に基板取付穴があります。(2ヶ所止め)

CH-A タイプ (鉄製基板付)

フカサ 160mm

| 納期区分 | 品名記号 鉄製基板付 | 1コ標準価格 | 一梱入数 | 外形寸法 | | | | 鉄製基板寸法 | | | | 扉寸法 | | 有効フカサ | 製品質量 kg | 従来商品相当品 (鉄製基板付) |
|------|---------------|--------|------|-------|-------|--------|-------|--------|-----|-----|-----|-----|-----|-------|---------|-----------------|
| | | | | A(ヨコ) | B(タテ) | C(フカサ) | F(ヨコ) | G(タテ) | H | I | K | L | | | | |
| ◎ | CH16-43A | 10,500 | 2コ | 400 | 300 | 160 | 350 | 250 | 330 | 230 | 398 | 297 | 143 | 6.7 | CH16-43 | |
| ◎ | CH16-435A | 12,000 | 2コ | " | 350 | " | " | 300 | " | 280 | " | 347 | " | 7.5 | — | |
| ◎ | CH16-44A | 13,000 | 2コ | " | 400 | " | " | 350 | " | 330 | " | 397 | " | 8.4 | CH16-44 | |
| ◎ | CH16-45A | 14,500 | 1コ | " | 500 | " | " | 450 | " | 430 | " | 497 | " | 10.1 | CH16-45 | |
| ◎ | CH16-4535A | 13,000 | 2コ | 450 | 350 | " | 400 | 300 | 380 | 280 | 448 | 347 | " | 8.3 | — | |
| ◎ | CH16-53A | 12,500 | 2コ | 500 | 300 | " | 450 | 250 | 430 | 230 | 498 | 297 | " | 8.0 | CH16-53 | |
| ◎ | CH16-54A | 14,500 | 1コ | " | 400 | " | " | 350 | " | 330 | " | 397 | " | 10.1 | CH16-54 | |
| ◎ | CH16-55A | 16,500 | 1コ | " | 500 | " | " | 450 | " | 430 | " | 497 | " | 12.2 | CH16-55 | |
| ◎ | CH16-65A | 18,500 | 1コ | 600 | " | " | 550 | " | 530 | " | 598 | " | " | 14.2 | — | |

フカサ 200mm

| | | | | | | | | | | | | | | | |
|---|------------|--------|----|-----|-----|-----|-----|-----|-----|-----|-----|-----|-----|------|-----------|
| ◎ | CH20-225A | 8,650 | 2コ | 200 | 250 | 200 | 150 | 200 | 130 | 180 | 198 | 247 | 183 | 3.7 | — |
| ◎ | CH20-23A | 9,000 | 2コ | " | 300 | " | " | 250 | " | 230 | " | 297 | " | 4.3 | — |
| ◎ | CH20-2525A | 9,150 | 2コ | 250 | 250 | " | 200 | 200 | 180 | 180 | 248 | 247 | " | 4.4 | — |
| ◎ | CH20-253A | 9,700 | 2コ | " | 300 | " | " | 250 | " | 230 | " | 297 | " | 5.1 | — |
| ◎ | CH20-2535A | 10,500 | 2コ | " | 350 | " | " | 300 | " | 280 | " | 347 | " | 5.7 | — |
| ◎ | CH20-325A | 9,700 | 2コ | 300 | 250 | " | 250 | 200 | 230 | 180 | 298 | 247 | " | 5.0 | — |
| ◎ | CH20-33A | 10,500 | 2コ | " | 300 | " | " | 250 | " | 230 | " | 297 | " | 5.8 | CH20-33 |
| ◎ | CH20-335A | 11,000 | 2コ | " | 350 | " | " | 300 | " | 280 | " | 347 | " | 6.5 | — |
| ◎ | CH20-34A | 12,000 | 2コ | " | 400 | " | " | 350 | " | 330 | " | 397 | " | 7.2 | CH20-34 |
| ◎ | CH20-35A | 14,500 | 2コ | " | 500 | " | " | 450 | " | 430 | " | 497 | " | 8.7 | CH20-35 |
| ◎ | CH20-3525A | 10,500 | 2コ | 350 | 250 | " | 300 | 200 | 280 | 180 | 348 | 247 | " | 5.6 | — |
| ◎ | CH20-353A | 11,000 | 2コ | " | 300 | " | " | 250 | " | 230 | " | 297 | " | 6.5 | — |
| ◎ | CH20-3535A | 12,000 | 2コ | " | 350 | " | " | 300 | " | 280 | " | 347 | " | 7.3 | — |
| ◎ | CH20-43A | 12,000 | 2コ | 400 | 300 | " | 350 | 250 | 330 | 230 | 398 | 297 | " | 7.2 | CH20-43 |
| ◎ | CH20-435A | 13,000 | 2コ | " | 350 | " | " | 300 | " | 280 | " | 347 | " | 8.1 | CH20-435 |
| ◎ | CH20-44A | 14,500 | 2コ | " | 400 | " | " | 350 | " | 330 | " | 397 | " | 9.0 | CH20-44 |
| ◎ | CH20-45A | 16,000 | 1コ | " | 500 | " | " | 450 | " | 430 | " | 497 | " | 10.8 | CH20-45 |
| ◎ | CH20-46A | 18,000 | 1コ | " | 600 | " | " | 550 | " | 530 | " | 597 | " | 12.6 | CH20-46 |
| ◎ | CH20-4535A | 14,500 | 2コ | 450 | 350 | " | 400 | 300 | 380 | 280 | 448 | 347 | " | 8.9 | CH20-4535 |
| ◎ | CH20-53A | 14,500 | 2コ | 500 | 300 | " | 450 | 250 | 430 | 230 | 498 | 297 | " | 8.7 | CH20-53 |
| ◎ | CH20-54A | 16,000 | 1コ | " | 400 | " | " | 350 | " | 330 | " | 397 | " | 10.8 | CH20-54 |
| ◎ | CH20-55A | 18,000 | 1コ | " | 500 | " | " | 450 | " | 430 | " | 497 | " | 12.9 | CH20-55 |
| ◎ | CH20-56A | 20,000 | 1コ | " | 600 | " | " | 550 | " | 530 | " | 597 | " | 15.0 | CH20-56 |
| ◎ | CH20-64A | 18,000 | 1コ | 600 | 400 | " | 550 | 350 | 530 | 330 | 598 | 397 | " | 12.6 | CH20-64 |
| ◎ | CH20-65A | 20,000 | 1コ | " | 500 | " | " | 450 | " | 430 | " | 497 | " | 15.0 | CH20-65 |
| ◎ | CH20-66A | 22,000 | 1コ | " | 600 | " | " | 550 | " | 530 | " | 597 | " | 17.5 | CH20-66 |

フカサ 250mm

| | | | | | | | | | | | | | | | |
|---|----------|--------|----|-----|-----|-----|-----|-----|-----|-----|-----|-----|-----|------|---------|
| ◎ | CH25-33A | 11,500 | 2コ | 300 | 300 | 250 | 250 | 250 | 230 | 230 | 298 | 297 | 233 | 6.4 | — |
| ◎ | CH25-34A | 12,500 | 2コ | " | 400 | " | " | 350 | " | 330 | " | 397 | " | 7.9 | CH25-34 |
| ◎ | CH25-43A | 12,500 | 2コ | 400 | 300 | " | 350 | 250 | 330 | 230 | 398 | 297 | " | 7.9 | CH25-43 |
| ◎ | CH25-44A | 14,500 | 2コ | " | 400 | " | " | 350 | " | 330 | " | 397 | " | 9.8 | CH25-44 |
| ◎ | CH25-45A | 16,500 | 1コ | " | 500 | " | " | 450 | " | 430 | " | 497 | " | 11.6 | CH25-45 |
| ◎ | CH25-54A | 16,500 | 1コ | 500 | 400 | " | 450 | 350 | 430 | 330 | 498 | 397 | " | 11.6 | CH25-54 |
| ◎ | CH25-55A | 19,000 | 1コ | " | 500 | " | " | 450 | " | 430 | " | 497 | " | 13.9 | CH25-55 |
| ◎ | CH25-56A | 21,000 | 1コ | " | 600 | " | " | 550 | " | 530 | " | 597 | " | 16.1 | CH25-56 |
| ◎ | CH25-65A | 21,000 | 1コ | 600 | 500 | " | 550 | 450 | 530 | 430 | 598 | 497 | " | 16.1 | CH25-65 |
| ◎ | CH25-66A | 25,000 | 1コ | " | 600 | " | " | 550 | " | 530 | " | 597 | " | 18.6 | CH25-66 |

◎代理店様在庫品 ◎物流センター在庫品 ①③⑤⑦標準品(納期別) 無印 受注品