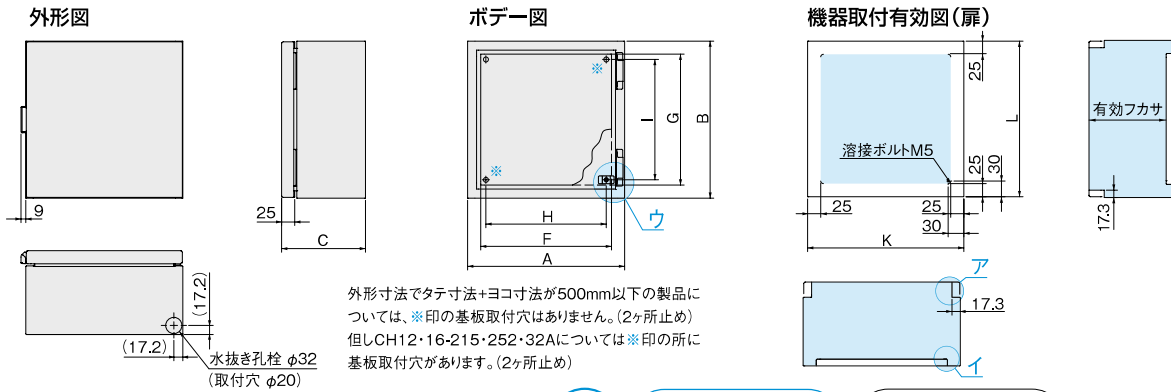


CH-A CH形ボックス (防塵パッキン付)



外形寸法でタテ寸法+ヨコ寸法が500mm以下の製品については、*印の基板取付穴はありません。(2ヶ所止め) 但しCH12・16-215・252・32Aについては*印の所に基板取付穴があります。(2ヶ所止め)

CH-A タイプ (鉄製基板付)

フカサ **120mm**

納期区分	品名記号 鉄製基板付	1コ標準価格 円	一梱入数	外形寸法			鉄製基板寸法				扉寸法		有効フカサ	製品質量 kg	従来商品相当品 (鉄製基板付)
				A(ヨコ)	B(タテ)	C(フカサ)	F(ヨコ)	G(タテ)	H	I	K	L			
○	CH12-152A	5,650	2コ	150	200	120	100	150	80	130	148	197	103	2.1	CH12-152
○	CH12-152SA	5,850	2コ	"	250	"	"	200	"	180	"	247	"	2.5	—
○	CH12-153A	6,450	2コ	"	300	"	"	250	"	230	"	297	"	2.9	—
○	CH12-215A	5,650	2コ	200	150	"	150	100	130	80	198	147	"	2.1	—
○	CH12-22A	5,850	2コ	"	200	"	"	150	"	130	"	197	"	2.6	CH12-22
○	CH12-225A	6,850	2コ	"	250	"	"	200	"	180	"	247	"	3.1	CH12-225
○	CH12-23A	7,200	2コ	"	300	"	"	250	"	230	"	297	"	3.6	—
○	CH12-24A	9,000	2コ	"	400	"	"	350	"	330	"	397	"	4.5	CH12-24
○	CH12-252A	6,850	2コ	250	200	"	200	150	180	130	248	197	"	3.0	CH12-252
○	CH12-252SA	7,550	2コ	"	250	"	"	200	"	180	"	247	"	3.6	—
○	CH12-253A	8,100	2コ	"	300	"	"	250	"	230	"	297	"	4.2	CH12-253
○	CH12-32A	7,200	2コ	300	200	"	250	150	230	130	298	197	"	3.5	CH12-32
○	CH12-325A	8,100	2コ	"	250	"	"	200	"	180	"	247	"	4.2	CH12-325
○	CH12-33A	9,000	2コ	"	300	"	"	250	"	230	"	297	"	4.9	CH12-33
○	CH12-34A	10,500	2コ	"	400	"	"	350	"	330	"	397	"	6.2	CH12-34
○	CH12-43A	10,500	2コ	400	300	"	350	250	330	230	398	297	"	6.2	CH12-43
○	CH12-44A	12,500	2コ	"	400	"	"	350	"	330	"	397	"	7.8	—
○	CH12-53A	12,500	2コ	500	300	"	450	250	430	230	498	297	"	7.4	CH12-53

フカサ **160mm**

○	CH16-152A	6,000	2コ	150	200	160	100	150	80	130	148	197	143	2.4	CH16-152
○	CH16-152SA	6,400	2コ	"	250	"	"	200	"	180	"	247	"	2.8	—
○	CH16-153A	6,650	2コ	"	300	"	"	250	"	230	"	297	"	3.3	—
○	CH16-215A	6,000	2コ	200	150	"	150	100	130	80	198	147	"	2.4	—
○	CH16-22A	6,450	2コ	"	200	"	"	150	"	130	"	197	"	2.9	CH16-22
○	CH16-225A	6,850	2コ	"	250	"	"	200	"	180	"	247	"	3.4	CH16-225
○	CH16-23A	7,200	2コ	"	300	"	"	250	"	230	"	297	"	4.0	—
○	CH16-24A	9,000	2コ	"	400	"	"	350	"	330	"	397	"	5.0	CH16-24
○	CH16-25A	11,000	2コ	"	500	"	"	450	"	430	"	497	"	6.0	CH16-25
○	CH16-252A	6,850	2コ	250	200	"	200	150	180	130	248	197	"	3.4	CH16-252
○	CH16-252SA	7,550	2コ	"	250	"	"	200	"	180	"	247	"	4.0	CH16-2525
○	CH16-253A	8,100	2コ	"	300	"	"	250	"	230	"	297	"	4.7	CH16-253
○	CH16-253SA	9,000	2コ	"	350	"	"	300	"	280	"	347	"	5.3	—
○	CH16-32A	7,200	2コ	300	200	"	250	150	230	130	298	197	"	3.9	CH16-32
○	CH16-325A	8,100	2コ	"	250	"	"	200	"	180	"	247	"	4.6	CH16-325
○	CH16-33A	9,000	2コ	"	300	"	"	250	"	230	"	297	"	5.3	CH16-33
○	CH16-335A	10,000	2コ	"	350	"	"	300	"	280	"	347	"	6.0	—
○	CH16-34A	10,500	2コ	"	400	"	"	350	"	330	"	397	"	6.7	CH16-34
○	CH16-35A	12,500	2コ	"	500	"	"	450	"	430	"	497	"	8.1	CH16-35
○	CH16-352SA	10,000	2コ	350	250	"	300	200	280	180	348	247	"	5.2	CH16-3525
○	CH16-353A	10,000	2コ	"	300	"	"	250	"	230	"	297	"	6.0	—
○	CH16-353SA	11,000	2コ	"	350	"	"	300	"	280	"	347	"	6.8	—

◎代理店様在庫品 ◎物流センター在庫品 ①③⑤⑦標準品(納期別) 無印 受注品

上記品名記号はライトベージュ塗装です。
 クリーム塗装にてご注文の際は品名記号の末尾にCを付けてご用命ください。
 価格は同価格です。【例】CH12-152A→CH12-152ACとなります。

キャビネット

自立形

盤用

防水・防塵形

コントロール

情報通信用

各種

計器盤用

ステンレス

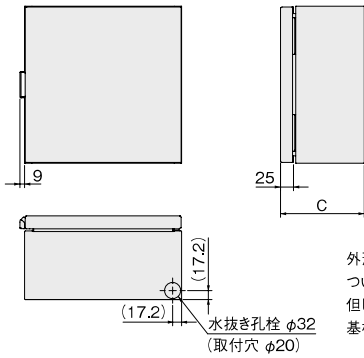
アルミ

ペDESTAL

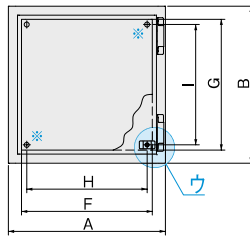
キャビネット

CH-A CH形ボックス (防塵パッキン付)

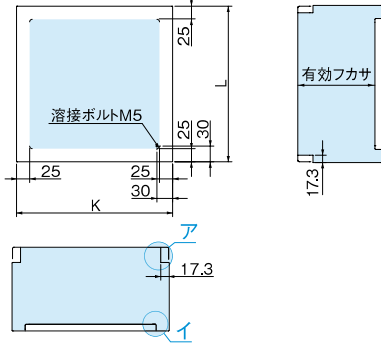
外形図



ボデー図



機器取付有効図(扉)



外形寸法でタテ寸法+ヨコ寸法が500mm以下の製品については、※印の基板取付穴がありません。(2ヶ所止め) 但しCH12・16・215・252・32Aについては※印の所に基板取付穴があります。(2ヶ所止め)

CH-A タイプ (鉄製基板付)

フカサ 160mm

納期区分	品名記号 鉄製基板付	1コ標準価格	一梱入数	外形寸法				鉄製基板寸法				扉寸法		有効フカサ	製品質量 kg	従来商品相当品 (鉄製基板付)
				A(ヨコ)	B(タテ)	C(フカサ)	F(ヨコ)	G(タテ)	H	I	K	L				
◎	CH16-43A	10,500	2コ	400	300	160	350	250	330	230	398	297	143	6.7	CH16-43	
◎	CH16-435A	12,000	2コ	"	350	"	"	300	"	280	"	347	"	7.5	—	
◎	CH16-44A	13,000	2コ	"	400	"	"	350	"	330	"	397	"	8.4	CH16-44	
◎	CH16-45A	14,500	1コ	"	500	"	"	450	"	430	"	497	"	10.1	CH16-45	
◎	CH16-4535A	13,000	2コ	450	350	"	400	300	380	280	448	347	"	8.3	—	
◎	CH16-53A	12,500	2コ	500	300	"	450	250	430	230	498	297	"	8.0	CH16-53	
◎	CH16-54A	14,500	1コ	"	400	"	"	350	"	330	"	397	"	10.1	CH16-54	
◎	CH16-55A	16,500	1コ	"	500	"	"	450	"	430	"	497	"	12.2	CH16-55	
◎	CH16-65A	18,500	1コ	600	"	"	550	"	530	"	598	"	"	14.2	—	

フカサ 200mm

◎	CH20-225A	8,650	2コ	200	250	200	150	200	130	180	198	247	183	3.7	—
◎	CH20-23A	9,000	2コ	"	300	"	"	250	"	230	"	297	"	4.3	—
◎	CH20-2525A	9,150	2コ	250	250	"	200	200	180	180	248	247	"	4.4	—
◎	CH20-253A	9,700	2コ	"	300	"	"	250	"	230	"	297	"	5.1	—
◎	CH20-2535A	10,500	2コ	"	350	"	"	300	"	280	"	347	"	5.7	—
◎	CH20-325A	9,700	2コ	300	250	"	250	200	230	180	298	247	"	5.0	—
◎	CH20-33A	10,500	2コ	"	300	"	"	250	"	230	"	297	"	5.8	CH20-33
◎	CH20-335A	11,000	2コ	"	350	"	"	300	"	280	"	347	"	6.5	—
◎	CH20-34A	12,000	2コ	"	400	"	"	350	"	330	"	397	"	7.2	CH20-34
◎	CH20-35A	14,500	2コ	"	500	"	"	450	"	430	"	497	"	8.7	CH20-35
◎	CH20-3525A	10,500	2コ	350	250	"	300	200	280	180	348	247	"	5.6	—
◎	CH20-353A	11,000	2コ	"	300	"	"	250	"	230	"	297	"	6.5	—
◎	CH20-3535A	12,000	2コ	"	350	"	"	300	"	280	"	347	"	7.3	—
◎	CH20-43A	12,000	2コ	400	300	"	350	250	330	230	398	297	"	7.2	CH20-43
◎	CH20-435A	13,000	2コ	"	350	"	"	300	"	280	"	347	"	8.1	CH20-435
◎	CH20-44A	14,500	2コ	"	400	"	"	350	"	330	"	397	"	9.0	CH20-44
◎	CH20-45A	16,000	1コ	"	500	"	"	450	"	430	"	497	"	10.8	CH20-45
◎	CH20-46A	18,000	1コ	"	600	"	"	550	"	530	"	597	"	12.6	CH20-46
◎	CH20-4535A	14,500	2コ	450	350	"	400	300	380	280	448	347	"	8.9	CH20-4535
◎	CH20-53A	14,500	2コ	500	300	"	450	250	430	230	498	297	"	8.7	CH20-53
◎	CH20-54A	16,000	1コ	"	400	"	"	350	"	330	"	397	"	10.8	CH20-54
◎	CH20-55A	18,000	1コ	"	500	"	"	450	"	430	"	497	"	12.9	CH20-55
◎	CH20-56A	20,000	1コ	"	600	"	"	550	"	530	"	597	"	15.0	CH20-56
◎	CH20-64A	18,000	1コ	600	400	"	550	350	530	330	598	397	"	12.6	CH20-64
◎	CH20-65A	20,000	1コ	"	500	"	"	450	"	430	"	497	"	15.0	CH20-65
◎	CH20-66A	22,000	1コ	"	600	"	"	550	"	530	"	597	"	17.5	CH20-66

フカサ 250mm

◎	CH25-33A	11,500	2コ	300	300	250	250	250	230	230	298	297	233	6.4	—
◎	CH25-34A	12,500	2コ	"	400	"	"	350	"	330	"	397	"	7.9	CH25-34
◎	CH25-43A	12,500	2コ	400	300	"	350	250	330	230	398	297	"	7.9	CH25-43
◎	CH25-44A	14,500	2コ	"	400	"	"	350	"	330	"	397	"	9.8	CH25-44
◎	CH25-45A	16,500	1コ	"	500	"	"	450	"	430	"	497	"	11.6	CH25-45
◎	CH25-54A	16,500	1コ	500	400	"	450	350	430	330	498	397	"	11.6	CH25-54
◎	CH25-55A	19,000	1コ	"	500	"	"	450	"	430	"	497	"	13.9	CH25-55
◎	CH25-56A	21,000	1コ	"	600	"	"	550	"	530	"	597	"	16.1	CH25-56
◎	CH25-65A	21,000	1コ	600	500	"	550	450	530	430	598	497	"	16.1	CH25-65
◎	CH25-66A	25,000	1コ	"	600	"	"	550	"	530	"	597	"	18.6	CH25-66

◎代理店様在庫品 ◎物流センター在庫品 ①③⑤⑦標準品(納期別) 無印 受注品