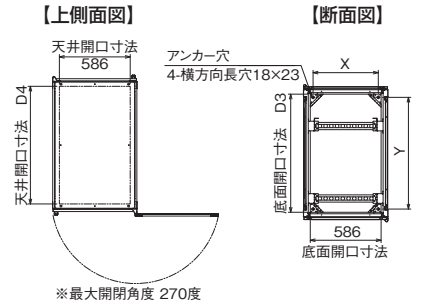
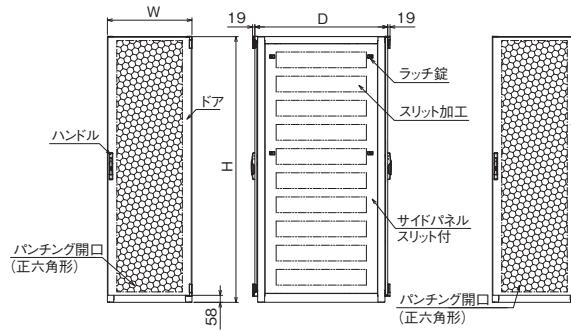


# サーバーラック ITS-W

許容荷重 **500kg** 耐震荷重 **300kg**

## 省施工・軽量・高剛性モデルの 自然換気仕様のワイド型ラックです(W700)



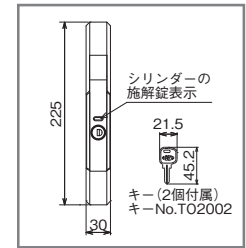
■仕様・材質は P.844 構造図をご覧ください。注)機器をマウントするための取付ねじは付属しておりません。  
 ※オプション品は P.916 をご参照ください。オプションパーツとして別途ご購入ください。(P.928)  
 ※オプション選定表は P.993 をご参照ください。

### 【ラック内部有効スペース】

a: 前面マウントアングルから扉内側(ハンドルベロの出っ張りも含む)  
 b: 前面マウントアングルからの背面フレームまでの距離  
 ※ラックによってはサオ、ハンドルの出っ張りもある為、サオ、ハンドルの出っ張りまでの寸法値になっています。

品番	有効高さ	a	b	品番	有効高さ	a	b	品番	有効高さ	a	b
ITS 14-6007W (B)	642	465	85	ITS 19-8007W (B)	642	665	85	ITS 19-1007W (B)	642	85	865
ITS 19-6010W (B)	892			ITS 19-8010W (B)	892			ITS 19-1010W (B)	892		
ITS 25-6012W (B)	1142			ITS 25-8012W (B)	1142			ITS 25-1012W (B)	1142		
ITS 31-6015W (B)	1392			ITS 31-8015W (B)	1392			ITS 31-1015W (B)	1392		
ITS 36-6017W (B)	1642			ITS 36-8017W (B)	1642			ITS 36-1017W (B)	1642		
ITS 42-6020W (B)	1892			ITS 42-8020W (B)	1892			ITS 42-1020W (B)	1892		
ITS 46-6022W (B)	2092	ITS 46-8022W (B)	2092	ITS 46-1022W (B)	2092	965	85	ITS 19-9007W (B)	642	85	965
ITS 14-7007W (B)	642	ITS 19-9010W (B)	892	ITS 19-1107W (B)	642						
ITS 19-7010W (B)	892	ITS 25-9012W (B)	1142	ITS 25-1112W (B)	1142						
ITS 25-7012W (B)	1142	ITS 31-9015W (B)	1392	ITS 31-1115W (B)	1392						
ITS 31-7015W (B)	1392	ITS 36-9017W (B)	1642	ITS 36-1117W (B)	1642						
ITS 36-7017W (B)	1642	ITS 42-9020W (B)	1892	ITS 42-1120W (B)	1892						
ITS 42-7020W (B)	1892	ITS 46-9022W (B)	2092	ITS 46-1122W (B)	2092						
ITS 46-7022W (B)	2092										

### ●キー付き平面ハンドル



### 受注仕様

ラックのドアごとにキーNo.の設定ができます。マスターキー仕様は別途ご相談ください。(鍵の番号管理はお客様にてお願いします。)

単位: mm

納期区分	ホワイトグレー		ブラック		外形寸法				パネル取付有効スペース	アンカーボルト取付ピッチ		重量 (kg)	標準価格 (円)	
	品番	納期区分	品番	納期区分	H	W	D	D3		D4	X			Y
4	ITS 14-6007W	4	ITS 14-6007WB	4	750	700	601	478	474	14U	540	425	51	190,000
4	ITS 19-6010W	4	ITS 19-6010WB	4	1000	700	601	478	474	19U	540	425	56	195,000
4	ITS 25-6012W	4	ITS 25-6012WB	4	1250	700	601	478	474	25U	540	425	66	201,000
4	ITS 31-6015W	4	ITS 31-6015WB	4	1500	700	601	478	474	31U	540	425	75	209,000
4	ITS 36-6017W	4	ITS 36-6017WB	4	1750	700	601	478	474	36U	540	425	84	216,000
4	ITS 42-6020W	4	ITS 42-6020WB	4	2000	700	601	478	474	42U	540	425	94	226,000
4	ITS 46-6022W	4	ITS 46-6022WB	4	2200	700	601	478	474	46U	540	425	101	240,000
4	ITS 14-7007W	4	ITS 14-7010WB	4	750	700	701	578	574	14U	540	525	54	205,000
4	ITS 19-7010W	4	ITS 19-7010WB	4	1000	700	701	578	574	19U	540	525	60	210,000
4	ITS 25-7012W	4	ITS 25-7012WB	4	1250	700	701	578	574	25U	540	525	69	216,000
4	ITS 31-7015W	4	ITS 31-7015WB	4	1500	700	701	578	574	31U	540	525	79	226,000
4	ITS 36-7017W	4	ITS 36-7017WB	4	1750	700	701	578	574	36U	540	525	89	233,000
4	ITS 42-7020W	4	ITS 42-7020WB	4	2000	700	701	578	574	42U	540	525	99	243,000
4	ITS 46-7022W	4	ITS 46-7022WB	4	2200	700	701	578	574	46U	540	525	106	254,000
4	ITS 14-8007W	4	ITS 14-8007WB	4	750	700	801	678	674	14U	540	625	56	210,000
4	ITS 19-8010W	4	ITS 19-8010WB	4	1000	700	801	678	674	19U	540	625	63	215,000
4	ITS 25-8012W	4	ITS 25-8012WB	4	1250	700	801	678	674	25U	540	625	73	222,000
4	ITS 31-8015W	4	ITS 31-8015WB	4	1500	700	801	678	674	31U	540	625	83	231,000
4	ITS 36-8017W	4	ITS 36-8017WB	4	1750	700	801	678	674	36U	540	625	93	240,000
4	ITS 42-8020W	4	ITS 42-8020WB	4	2000	700	801	678	674	42U	540	625	103	252,000
4	ITS 46-8022W	4	ITS 46-8022WB	4	2200	700	801	678	674	46U	540	625	112	264,000
4	ITS 14-9007W	4	ITS 14-9007WB	4	750	700	901	778	774	14U	540	725	59	229,000
4	ITS 19-9010W	4	ITS 19-9010WB	4	1000	700	901	778	774	19U	540	725	66	234,000
4	ITS 25-9012W	4	ITS 25-9012WB	4	1250	700	901	778	774	25U	540	725	77	240,000
4	ITS 31-9015W	4	ITS 31-9015WB	4	1500	700	901	778	774	31U	540	725	83	248,000
4	ITS 36-9017W	4	ITS 36-9017WB	4	1750	700	901	778	774	36U	540	725	98	258,000
4	ITS 42-9020W	4	ITS 42-9020WB	4	2000	700	901	778	774	42U	540	725	108	268,000
4	ITS 46-9022W	4	ITS 46-9022WB	4	2200	700	901	778	774	46U	540	725	117	279,000
4	ITS 14-1007W	4	ITS 14-1007WB	4	750	700	1001	878	874	14U	540	825	62	246,000
4	ITS 19-1010W	4	ITS 19-1010WB	4	1000	700	1001	878	874	19U	540	825	69	251,000
4	ITS 25-1012W	4	ITS 25-1012WB	4	1250	700	1001	878	874	25U	540	825	80	257,000
4	ITS 31-1015W	4	ITS 31-1015WB	4	1500	700	1001	878	874	31U	540	825	91	264,000
4	ITS 36-1017W	4	ITS 36-1017WB	4	1750	700	1001	878	874	36U	540	825	104	269,000
4	ITS 42-1020W	4	ITS 42-1020WB	4	2000	700	1001	878	874	42U	540	825	115	285,000
4	ITS 46-1022W	4	ITS 46-1022WB	4	2200	700	1001	878	874	46U	540	825	124	298,000
4	ITS 14-1107W	4	ITS 14-1107WB	4	750	700	1101	978	974	14U	540	925	65	268,000
4	ITS 19-1110W	4	ITS 19-1110WB	4	1000	700	1101	978	974	19U	540	925	73	278,000
4	ITS 25-1112W	4	ITS 25-1112WB	4	1250	700	1101	978	974	25U	540	925	80	290,000
4	ITS 31-1115W	4	ITS 31-1115WB	4	1500	700	1101	978	974	31U	540	925	95	299,000
4	ITS 36-1117W	4	ITS 36-1117WB	4	1750	700	1101	978	974	36U	540	925	108	309,000
4	ITS 42-1120W	4	ITS 42-1120WB	4	2000	700	1101	978	974	42U	540	925	120	320,000
4	ITS 46-1122W	4	ITS 46-1122WB	4	2200	700	1101	978	974	46U	540	925	129	340,000

U=44.45

(商品コード22)

※この紙面に掲載の商品には、消費税は含まれておりません。